

ICAO Type A & Type B Low Intensity Obstruction Light



AV-OL Series Universal AC or Universal DC Single Light Fixture



Model shown with optional 1 inch pipe thread adaptor

Standard Model

LED Optic

- Low power consumption
- Combined visual & infrared visibility for pilots using night vision (optional)
- Small form factor, minimal wind loading
- Tough UV-stabilized LEXAN® polycarbonate lens & light base
- Easily installs to 3/4 inch pipe thread
- Monitoring options available



CHS Controls AB

Tel +46 42 38 61 00, Fax +46 42 38 61 29
chs@chscontrols.se www.chscontrols.se

Features

- Cost effective, energy efficient obstruction lighting solution
- Available in universal DC: will accept between 12-48VDC
- Available in universal AC: will accept between 110-240VAC
- User-adjustable intensity to toggle between ICAO LIOL Type A (10cd) & LIOL Type B (32cd)
- User-adjustable operation mode to toggle between dusk-till-dawn & 24hr operation
- Alarm contact for remote monitoring
- Light sensor for day/night operation
- LED technology reduces maintenance time and costs
- Easily retrofits with existing installations
- Optional solar powered configurations available
- Optional combined visual/IR for pilots using NVG
- Optional RS422/485 communications port for monitoring & synchronisation of DC version
- Available with optional GSM monitoring

Applications

Low Intensity Obstruction Light for marking top of obstacles that do not exceed 45 metres in height

Certifications

Low Intensity Type A & B Obstruction Light, ICAO Annex 14, Volume 1, Sixth Edition, July 2013, 'Aerodrome Design and Operations'

This Avlite light fixture is a steady burning, low intensity LED obstruction light designed to comply with ICAO LIOL Type A & Type B requirements. The model can be used for marking obstacles up to 45 metres above ground, such as telecommunication towers, wind turbines, buildings and other tall structures.

Avlite's LED obstruction lights offer an ultra bright, energy efficient and cost effective lighting solution. The light fixture is available in two configurations, universal DC (12-48VDC) or universal AC (110-240VAC).

The advanced light optic uses a single LED for minimal power consumption. The corrosion resistant, polycarbonate lens is specifically designed for use with LEDs to maximize light intensity and uniformity.

The light fixture incorporates internal diagnostic checking and an alarm contact for remote monitoring. The alarm relay is energised in normal operation and is released if there is an LED or power fault.

The unit is available with either a 3/4 or 1 inch thread type - making it simple to retrofit with existing installations.

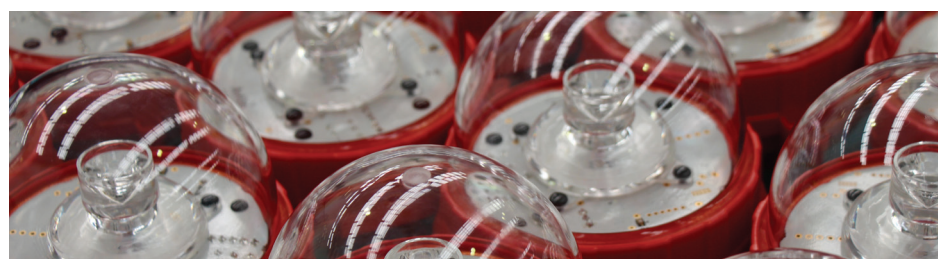
The ICAO model has adjustable intensity settings to allow the user to easily toggle between 10cd (ICAO Type A) and 32cd (ICAO Type B) light intensities.

The obstruction light also has an adjustable operation mode setting to allow the user to easily toggle between dusk-till-dawn and 24 hour operation modes.

The obstruction light is also available with combined visual and infrared (IR) visibility for pilots using night vision.

Optional GSM Monitoring & Control

The Avlite single obstruction light is available with GSM Cell-Phone Monitoring, enabling operators to remotely monitor the status of their installation. The system can also be configured to send out SMS text messages or e-mail alerts to designated operators should alarm conditions be triggered, such as low voltage or light failure.



AUSTRALIA
t: +61 (0)3 5977 6128

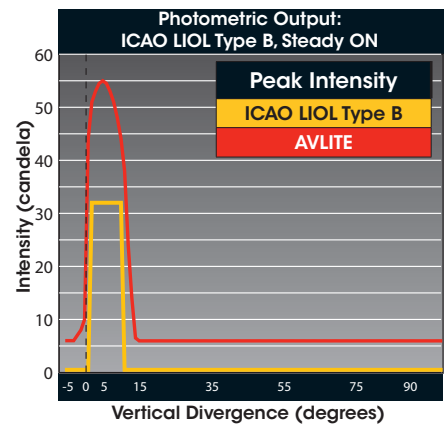
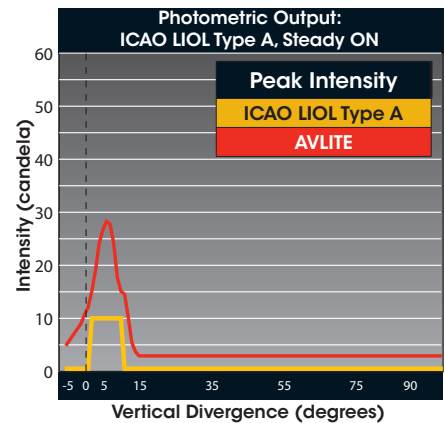
USA
t: +1 (603) 737 1310

w: www.avlite.com
e: info@avlite.com

SPECIFICATIONS * *	ICAO Type A & Type B LIOL Single Fixture	
	12-48 VDC	110-240 VAC
Light Characteristics		
Light Source	As tested; AV-OL-ILAB-12-R (Type A & Type B)	As tested; AV-OL-ILAB-UM-R (Type A & Type B)
Available colours	Red as standard. Other colours available on request, including IR	Red as standard. Other colours available on request, including IR
Peak Intensity (cd) †	Complies with ICAO LIOLA & LIOLB: 2013	Complies with ICAO LIOLA & LIOLB: 2013
Horizontal Output (degrees)	360	360
Vertical Divergence (degrees)	as per ICAO Type A/B specification	as per ICAO Type A/B specification
Reflector Type	Single LED Optic	Single LED Optic
Intensity Adjustments	User-adjustable between 10cd & 32cd	User-adjustable between 10cd & 32cd
Operation Mode Adjustment	User-adjustable between dusk-till-dawn & 24 hour operation	User-adjustable between dusk-till-dawn & 24 hour operation
LED Life Expectancy (hours)	>100,000	>100,000
Electrical Characteristics		
Operating Voltage	12 - 48 VDC	110 - 240 VAC
Power (W)	ICAO LIOL Type A @ 10cd Steady-on with relay energised: Pmax = 0.9 ICAO LIOL Type B @ 32cd Steady-on with relay energised: Pmax = 2.16	ICAO LIOL Type A @ 10cd Steady-on with relay energised: Pmax = 1.2 ICAO LIOL Type B @ 32cd Steady-on with relay energised: Pmax = 4 Smax = 10.6VA
Circuit Protection	Integrated	Integrated
Temperature Range	-40 to 80°C	-40 to 80°C
Physical Characteristics		
Body Material	LEXAN® Polycarbonate - UV stabilized	LEXAN® Polycarbonate - UV stabilized
Lens Material	LEXAN® Polycarbonate - UV stabilized	LEXAN® Polycarbonate - UV stabilized
Lens Diameter (mm/inches)	100 / 3 7/8	100 / 3 7/8
Lens Design	Single LED Optic	Single LED Optic
Mounting	Standard Model: 3/4 inch pipe thread	Standard Model: 3/4 inch pipe thread
Height (mm/inches)	Standard Model: 137 / 5 1/2	Standard Model: 137 / 5 1/2
Width (mm/inches)	121 / 4 3/4	121 / 4 3/4
Depth (mm/inches)	121 / 4 3/4	121 / 4 3/4
Mass (kg/lbs)	0.4 / 7/8	0.4 / 7/8
Product Life Expectancy	12 years plus	12 years plus
Environmental Factors		
Humidity	0 to 100%, MIL-STD-810F	0 to 100%, MIL-STD-810F
Icing	3.41kg per square cm / 48.5lbs per square inch Up to 240kph / 150mph	3.41kg per square cm / 48.5lbs per square inch Up to 240kph / 150mph
Wind Speed		
Certifications		
CE	EN61000-6-3:2007 EN61000-6-1:2007	EN61000-6-3:2007 EN61000-6-1:2007
Quality Assurance	ISO9001:2008	ISO9001:2008
ICAO	Low Intensity Obstruction Light Type A & B - 2013	Low Intensity Obstruction Light Type A & B - 2013
Waterproof	IP68	IP68
Intellectual Property		
Trademarks	AVLITE® is a registered trademark of Avlite Systems	AVLITE® is a registered trademark of Avlite Systems
Warranty * *	5 year warranty	5 year warranty
Options Available	<ul style="list-style-type: none"> Variety of solar/battery configurations GSM Cell-Phone Monitoring Dual visual/IR output IR LED RS422/485 communications port Threaded adaptor to fit one (1) inch pipe 	<ul style="list-style-type: none"> GSM Cell-Phone Monitoring Dual visual/IR output IR LED Threaded adaptor to fit one (1) inch pipe



* Specifications subject to change or variation without notice
 * Subject to standard terms and conditions
 † Intensity setting subject to solar availability



HOW TO ORDER

ICAO Type A & B LIOL Single Fixture

AV-OL-ILAB-[Model]-[Colour]-[?]-[?]

Product No.: _____

Certification: ILAB = ICAO Type A & B LIOL

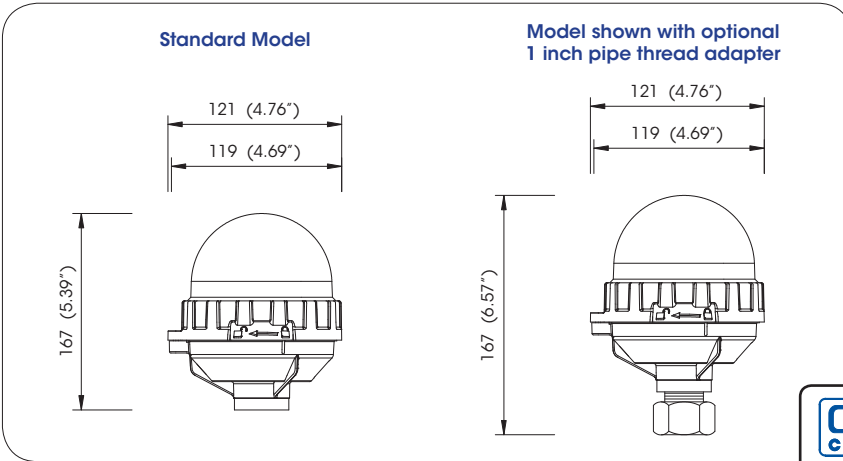
Model: 12 = 12-48 VDC
UM = 110-240 VAC

Colour: R = Red
IR = Infrared
RIR = Combined Red/IR

Monitoring & Control: GSM = GSM
[blank] = No monitoring & control

RS Communications Port: RS = RS communications port (VDC Model)
[blank] = No RS communications port

Note: Please contact your Avlite representative for optional power supply solutions



CHS Controls AB
 Tel +46 42 38 61 00, Fax +46 42 38 61 29
 chs@chscontrols.se www.chscontrols.se



AUSTRALIA
 t: +61 (0)3 5977 6128

USA
 t: +1 (603) 737 1310

w: www.avlite.com
 e: info@avlite.com

