

# Low-intensity Red and IR Obstruction Lights

# OBELUX

AVIATION LIGHTS

ICAO Low-intensity Type A 10cd, Type B 32cd and Type E 32cd  
 Low-intensity 50cd  
 FAA L-810  
 Infrared 850nm

Obelux Oy, Kutomotie 6 B, 00380 Helsinki FINLAND | The information in this document is subject to change without notice. © Obelux Oy 2021

WWW.OBELUX.COM

## Optical characteristics

- ▶ 10cd red and IR
- ▶ 32cd red and IR
- ▶ 50cd red and IR
- ▶ Red or IR only
- ▶ Color aviation RED
- ▶ Horizontal beam 360°
- ▶ Vertical beam >10°
- ▶ Infrared 850nm
- ▶ All models fixed or flashing
- ▶ Photocell for Day / Night detection

## Specifications met

ICAO International Standards and Recommended Practices:  
 Aerodromes Annex 14 Volume 1,  
 8th Edition, July 2018, Chapter 6:  
 Low-intensity Type A  
 Low-intensity Type B  
 Low-intensity Type E

FAA Advisory Circular (9/28/2016)  
 AC 150/5345-43H:  
 L-810  
 L-810F

Finnish Civil Aviation Authority, TraFi  
 (FIN)

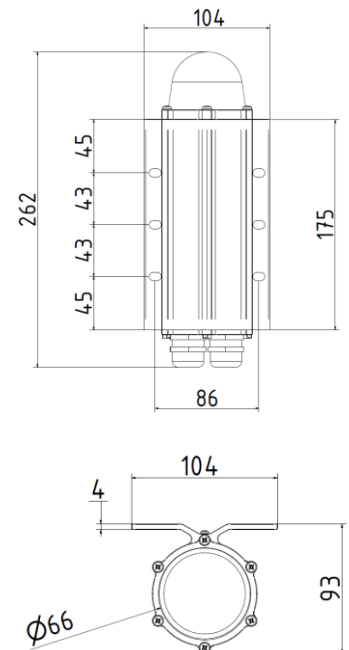
Transportstyrelsen TSFS 2020:88  
 (SWE)

Luffartstilsynet FOR-2014-07-15-980  
 (NOR)

Ministerie van Infrastructuur en Milieu  
 (lage intensiteit), 30.9.2016 (NLD)



Photo only for illustration.



## Low-intensity Obstruction Lights

### LED Aviation Obstruction Lights

Obelux low-intensity obstruction light with fully Night Vision Goggle (NVG) compliant infrared. The light is designed for marking tall structures such as wind turbines, chimneys, masts, and towers. The product offers unique features such as fault monitoring, photocell and switcher incorporated in the light. Optionally the lights can be connected to Obelux aviation light system through Modbus serial lines.

### Key Features

- ▶ Based on LED technology
- ▶ Low-intensity RED fixed and flashing light
- ▶ NVG compliant infrared (IR) light
- ▶ Incorporated photocell for Day/Night switching
- ▶ GPS synchronization
- ▶ Both stand-alone (incorporated alarm signal) and Modbus operations available
- ▶ Extremely low power consumption
- ▶ Provides long maintenance free operating time
- ▶ 5-year warranty
- ▶ Optional 10-year warranty
- ▶ Thermostat controlled heater
- ▶ Smart heater (DC models)
- ▶ Deep discharge protection (DC models)
- ▶ Battery powered operation

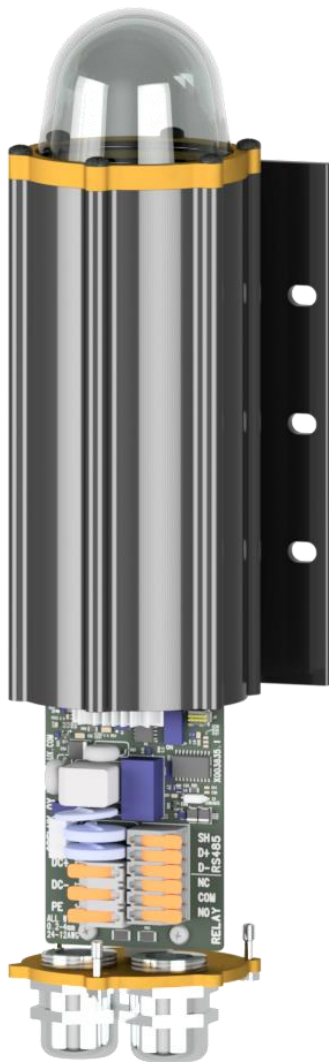
# Low-intensity Red and IR Obstruction Lights

**OBELUX**  
AVIATION LIGHTS

ICAO Low-intensity Type A 10cd, Type B 32cd and Type E 32cd  
Low-intensity 50cd  
FAA L-810  
Infrared 850nm

Obelux Oy, Kutomotie 6 B, 00380 Helsinki FINLAND | The information in this document is subject to change without notice. © Obelux Oy 2021

WWW.OBELUX.COM



Picture for illustration only

## Electrical Characteristics

- ▶ AC models: AC voltage range:  
Nominal 100-250V<sub>AC</sub> @ 50-60Hz
- ▶ DC models: DC voltage range: 10-60V<sub>DC</sub>
- ▶ Robust overvoltage protection (Type II)
- ▶ Isolated RS-485
- ▶ Alarm relay  
Ratings: 250VAC @ 8A; 50VDC @ 1A

## Mechanical Characteristics

- ▶ Anodized, marine grade aluminum body and end parts
- ▶ AISI316 acid proof stainless steel screws
- ▶ Glass cover, degree of protection IP65
- ▶ Acrylic lenses, UV protected
- ▶ Operating temperature range -40...+55 °C
- ▶ Height 255 mm, diameter 104 mm
- ▶ Weight 1,3 kg (without mounting set)
- ▶ Terminal blocks for 0.2...4 mm<sup>2</sup> (24-12 AWG) wires

## Mounting Set Options

- ▶ MS-HV80
- ▶ MS-EV60
- ▶ MS-EV100
- ▶ MS-EV150
- ▶ MS-DEV60
- ▶ MS-DEV100
- ▶ MS-RW
- ▶ MS-LVU
- ▶ MS-WT5

## Optional Controllers

- ▶ CP Series
- ▶ CP-M1 Series

# Low-intensity Red and IR Obstruction Lights

**OBELUX**  
 AVIATION LIGHTS

 ICAO Low-intensity Type A 10cd, Type B 32cd and Type E 32cd  
 Low-intensity 50cd  
 FAA L-810  
 Infrared 850nm

Obelux Oy, Kutomotie 6 B, 00380 Helsinki FINLAND | The information in this document is subject to change without notice. © Obelux Oy 2021

[WWW.OBELUX.COM](http://WWW.OBELUX.COM)

## Product codes

In codes -GAM, G = GPS, A = alarm relay, M = Modbus

**Basic versions (-A) are highlighted with yellow color.**

### Low intensity 10cd red + Infrared (IR) Type A

Order code	ICAO	Output	Operating voltage	Power consumption	IR	Alarm relay	Modbus	GPS sync	Fault monitoring	Heater
<b>AC MODELS</b>										
<b>LI-AC-10-A</b>	Type A	10cd	100-250VAC	1.0VA	No	Yes	No	No	Yes	Yes
LI-AC-10-AM	Type A	10cd	100-250VAC	1.2VA	No	Yes	Yes	No	Yes	Yes
LI-AC-10-GAM	Type A	10cd	100-250VAC	1.2VA	No	Yes	Yes	Yes	Yes	Yes
<b>LI-AC-10-IR-A</b>	Type A	10cd+IR	100-250VAC	1.3VA	Yes	Yes	No	No	Yes	Yes
LI-AC-10-IR-AM	Type A	10cd+IR	100-250VAC	1.3VA	Yes	Yes	Yes	No	Yes	Yes
LI-AC-10-IR-GAM	Type A	10cd+IR	100-250VAC	1.5VA	Yes	Yes	Yes	Yes	Yes	Yes
<b>DC MODELS</b>										
<b>LI-DC-10-A</b>	Type A	10cd	10-60VDC	0.8W	No	Yes	No	No	Yes	Yes
LI-DC-10-AM	Type A	10cd	10-60VDC	0.8W	No	Yes	Yes	No	Yes	Yes
LI-DC-10-GAM	Type A	10cd	10-60VDC	1.0W	No	Yes	Yes	Yes	Yes	Yes
<b>LI-DC-10-IR-A</b>	Type A	10cd+IR	10-60VDC	1.1W	Yes	Yes	No	No	Yes	Yes
LI-DC-10-IR-AM	Type A	10cd+IR	10-60VDC	1.1W	Yes	Yes	Yes	No	Yes	Yes
LI-DC-10-IR-GAM	Type A	10cd+IR	10-60VDC	1.3W	Yes	Yes	Yes	Yes	Yes	Yes

### Low intensity 32cd red + Infrared (IR) Type B and E

Order code	ICAO / FAA	Output	Operating voltage	Power consumption	IR	Alarm relay	Modbus	GPS sync	Fault monitoring	Heater
<b>AC MODELS</b>										
<b>LI-AC-32-A</b>	Type B/E, L-810/F	32cd	100-250VAC	2.0VA	No	Yes	No	No	Yes	Yes
LI-AC-32-AM	Type B/E, L-810/F	32cd	100-250VAC	2.0VA	No	Yes	Yes	No	Yes	Yes
LI-AC-32-GAM	Type B/E, L-810/F	32cd	100-250VAC	2.2VA	No	Yes	Yes	Yes	Yes	Yes
<b>LI-AC-32-IR-A</b>	Type B/E, L-810/F	32cd+IR	100-250VAC	2.3VA	Yes	Yes	No	No	Yes	Yes
LI-AC-32-IR-AM	Type B/E, L-810/F	32cd+IR	100-250VAC	2.3VA	Yes	Yes	Yes	No	Yes	Yes
LI-AC-32-IR-GAM	Type B/E, L-810/F	32cd+IR	100-250VAC	2.5VA	Yes	Yes	Yes	Yes	Yes	Yes
<b>DC MODELS</b>										
<b>LI-DC-32-A</b>	Type B/E, L-810/F	32cd	10-60VDC	1.8W	No	Yes	No	No	Yes	Yes
LI-DC-32-AM	Type B/E, L-810/F	32cd	10-60VDC	1.8W	No	Yes	Yes	No	Yes	Yes
LI-DC-32-GAM	Type B/E, L-810/F	32cd	10-60VDC	2.0W	No	Yes	Yes	Yes	Yes	Yes
<b>LI-DC-32-IR-A</b>	Type B/E, L-810/F	32cd+IR	10-60VDC	2.1W	Yes	Yes	No	No	Yes	Yes
LI-DC-32-IR-AM	Type B/E, L-810/F	32cd+IR	10-60VDC	2.1W	Yes	Yes	Yes	No	Yes	Yes
LI-DC-32-IR-GAM	Type B/E, L-810/F	32cd+IR	10-60VDC	2.3W	Yes	Yes	Yes	Yes	Yes	Yes



# Low-intensity Red and IR Obstruction Lights

**OBELUX**  
 AVIATION LIGHTS

 ICAO Low-intensity Type A 10cd, Type B 32cd and Type E 32cd  
 Low-intensity 50cd  
 FAA L-810  
 Infrared 850nm

Obelux Oy, Kutomotie 6 B, 00380 Helsinki FINLAND | The information in this document is subject to change without notice. © Obelux Oy 2021

[WWW.OBELUX.COM](http://WWW.OBELUX.COM)

## Low intensity 50cd red + Infrared (IR)

Order code	ICAO / FAA	Output	Operating voltage	Power consumption	IR	Alarm relay	Modbus	GPS sync	Fault monitoring	Heater
<b>AC MODELS</b>										
<b>LI-AC-50-A</b>	-	50cd	100-250VAC	4VA	No	Yes	No	No	Yes	Yes
<b>LI-AC-50-AM</b>	-	50cd	100-250VAC	4VA	No	Yes	Yes	No	Yes	Yes
<b>LI-AC-50-GAM</b>	-	50cd	100-250VAC	4.2VA	No	Yes	Yes	Yes	Yes	Yes
<b>LI-AC-50-IR-A</b>	-	50cd+IR	100-250VAC	4.3VA	Yes	Yes	No	No	Yes	Yes
<b>LI-AC-50-IR-AM</b>	-	50cd+IR	100-250VAC	4.3VA	Yes	Yes	Yes	No	Yes	Yes
<b>LI-AC-50-IR-GAM</b>	-	50cd+IR	100-250VAC	4.5VA	Yes	Yes	Yes	Yes	Yes	Yes
<b>DC MODELS</b>										
<b>LI-DC-50-A</b>	-	50cd	10-60VDC	3.6W	No	Yes	No	No	Yes	Yes
<b>LI-DC-50-AM</b>	-	50cd	10-60VDC	3.6W	No	Yes	Yes	No	Yes	Yes
<b>LI-DC-50-GAM</b>	-	50cd	10-60VDC	3.8W	No	Yes	Yes	Yes	Yes	Yes
<b>LI-DC-50-IR-A</b>	-	50cd+IR	10-60VDC	3.9W	Yes	Yes	No	No	Yes	Yes
<b>LI-DC-50-IR-AM</b>	-	50cd+IR	10-60VDC	3.9W	Yes	Yes	Yes	No	Yes	Yes
<b>LI-DC-50-IR-GAM</b>	-	50cd+IR	10-60VDC	4.1W	Yes	Yes	Yes	Yes	Yes	Yes

## IR only

Order code	Output (adjustable 1-400mWSR)	Operating voltage	Power consumption	IR	Alarm relay	Modbus	GPS sync	Fault monitoring	Heater
<b>AC MODELS</b>									
<b>LI-AC-IR-A-X</b>	IR	100-250VAC	0.6VA	Yes	Yes	No	No	Yes	Yes
<b>LI-AC-IR-AM-X</b>	IR	100-250VAC	0.6VA	Yes	Yes	Yes	No	Yes	Yes
<b>LI-AC-IR-GAM-X</b>	IR	100-250VAC	0.8VA	Yes	Yes	Yes	Yes	Yes	Yes
<b>DC MODELS</b>									
<b>LI-DC-IR-A-X</b>	IR	10-60VDC	0.4W	Yes	Yes	No	No	Yes	Yes
<b>LI-DC-IR-AM-X</b>	IR	10-60VDC	0.4W	Yes	Yes	Yes	No	Yes	Yes
<b>LI-DC-IR-GAM-X</b>	IR	10-60VDC	0.6W	Yes	Yes	Yes	Yes	Yes	Yes

X: IR power (mWSR)

Power consumption depends on output light intensity

Light intensity depends on beam width (default beam width 20°)

Beam width set in factory

Flash rate and power are software configurable (flashing is not limited to constant rates, any flash sequence can be programmed, e.g. SOS signal)

DC models idle power consumptions: 0.5W (light off, with GPS), 0.35W (light off, without GPS)

Heater increases power consumption by 7W; heater turns on when temperature drops below 10 °C; heater can be set ON/OFF

Factory setting: Heater ON

Water protection class IP65 applies when the device is mounted vertically glass cover facing up

All models available with IP67 water protection class (append -67 to product code, e.g. LI-AC-10-A-67)

Packing dimensions and weight: 280x130x100, 1.5kg

# Low-intensity Red and IR Obstruction Lights

**OBELUX**  
AVIATION LIGHTS

ICAO Low-intensity Type A 10cd, Type B 32cd and Type E 32cd  
Low-intensity 50cd  
FAA L-810  
Infrared 850nm

Obelux Oy, Kutomotie 6 B, 00380 Helsinki FINLAND | The information in this document is subject to change without notice. © Obelux Oy 2021

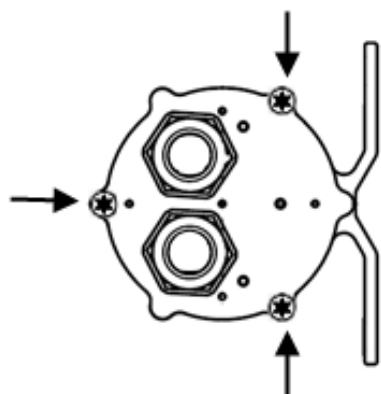
WWW.OBELUX.COM

## Cabling specifications

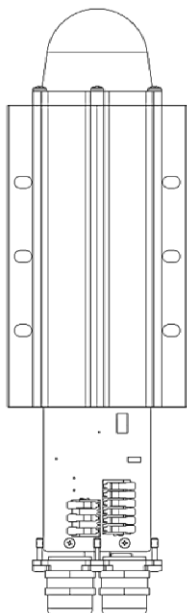
- ▶ Cable gland M25
- ▶ Cable diameter 11-17 mm (includes cable gland seal 6-13 mm)
- ▶ Wire diameter max. 4 mm<sup>2</sup>
- ▶ Recommended cable 3x1.5 mm<sup>2</sup> or 3x2.5 mm<sup>2</sup>

## Installation instructions

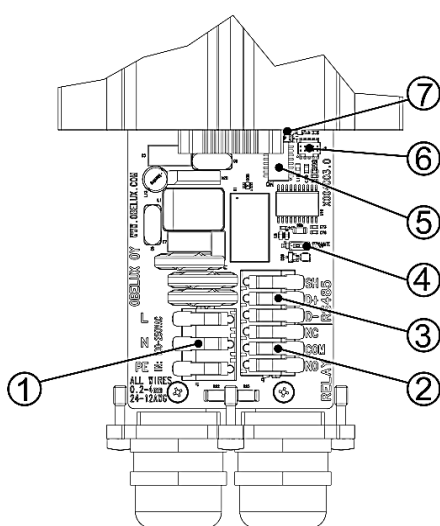
Open the three back plate screws. The bottom plate and the main circuit board slide out. Route power and data cables using cable gland(s) on the back side of the light unit. Connect the cable wires securely to appropriate terminal block connectors. Slide the bottom plate properly in its place and securely tighten all screws. Make sure that all unused glands or gland holes are sealed.



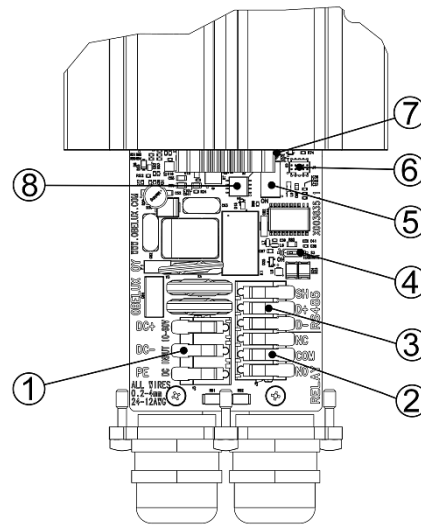
Back plate screws



Light unit opened up



AC models



DC models

### 1 Power input

Mark	Description	Information
L	Live	Connect to power supply live terminal
N	Neutral	Connect to power supply neutral terminal
PE	Ground	Protective earth

### 2 Alarm relay output

Mark	Description	Information
DC+	Positive	Connect to power supply positive terminal
DC-	Negative	Connect to power supply negative terminal
PE	Ground	Protective earth

### 3 RS-485 port

Mark	Description	Information
D+	Data+	RS-485 non-inverting pin
D-	Data-	RS-485 inverting pin
SH	Shield	Cable shield connection

### 4 RS-485 termination DIP switch

### 5 Configuration DIP switches

### 6 Programming terminal

### 7 Reset button

### 8 Deep discharge protection switches (DC models)

# Low-intensity Red and IR Obstruction Lights



ICAO Low-intensity Type A 10cd, Type B 32cd and Type E 32cd  
 Low-intensity 50cd  
 FAA L-810  
 Infrared 850nm

Obelux Oy, Kutomotie 6 B, 00380 Helsinki FINLAND | The information in this document is subject to change without notice. © Obelux Oy 2021

WWW.OBELUX.COM

## Configuring Obelux Low-Intensity Series Lights

Configuration is not necessary for a steady burning (light on all the time) light in Stand-alone mode. It is the factory default.

### Stand-alone mode

Configuration DIP switches 1-4 are used to control the photocell mode (enabled/disabled), the photocell threshold values, and the flashing settings. Turn off DIP8 for stand-alone operation.

The factory default setting is these switches OFF (steady-burning mode without photocell control). With the photocell operation enabled, the obstruction light turns on when the ambient light level has dropped below the selected level. The light turns off when the ambient light level has exceeded the selected value. The turn-on and turn-off times are approximately 3 minutes. Low powered obstruction light has practically no visibility in day. The light causes no light pollution. It is recommended to keep the photocell disabled. The lights power consumption is low.

DIP switch		Photocell threshold
1	2	
off	off	Photocell disabled * (light on all the time)
on	off	200 lx (dark)
off	on	400 lx (twilight)
on	on	1600 lx (between twilight and midday), recommended if photocell is used

DIP switch		Flash rate (FPM)
3	4	
off	off	Steady burning *
on	off	20
off	on	30
on	on	40
Not used		configurable FPM with software, e.g. Morse code or 60 FPM possible

With DIP5, IR can be set off in lights that have IR. By default, lights that don't have IR have DIP5 OFF.

DIP switch	Infrared	DIP switch	Heater **
5		6	
off	OFF	off	OFF
on	ON *	on	ON *

With DIP7, the light can be set to Master or Slave mode. In Master mode, the light can monitor and control a network of lights. The Master light uses its alarm relay if any of the lights has an alarm. Software configuration is required for the Master light. Check manual for more details.

DIP switch	Master/Slave mode	DIP switch	Operating mode
7		8	
off	Slave *	off	Standalone *
on	Master	on	Modbus

\* Factory setting

\*\* In DC models, in battery power, it is recommended to set to OFF or use Smart heater feature to reduce power consumption

# Low-intensity Red and IR Obstruction Lights

**OBELUX**  
 AVIATION LIGHTS

 ICAO Low-intensity Type A 10cd, Type B 32cd and Type E 32cd  
 Low-intensity 50cd  
 FAA L-810  
 Infrared 850nm

Obelux Oy, Kutomotie 6 B, 00380 Helsinki FINLAND | The information in this document is subject to change without notice. © Obelux Oy 2021

[WWW.OBELUX.COM](http://WWW.OBELUX.COM)

In cold climates, the heater prevents moisture build-up and keeps the light head clean from snow and ice. The power consumption of the low-intensity light is low while producing minimum heat. Using the heater in cold and damp conditions is recommended. The heater is beneficial to keep the light operating more reliably.

## Modbus mode (-AM and -GAM models)

Turn on DIP8 to configure the light into Modbus operation. Configuration DIP switches 1-5 are used to set the light a Modbus address. Duplicate addresses on the same bus are not allowed. Give each device a unique address. The addresses need to be set from lowest to highest in order. E.g. if 3 devices are used, they need to be in addresses 1, 2 and 3.

Note: No address is set to a Master light (DIP7: Master – Slave functionality).

DIP switch					Modbus Address
1	2	3	4	5	
on	off	off	off	off	Address 01
off	on	off	off	off	Address 02
on	on	off	off	off	Address 03
off	off	on	off	off	Address 04
on	off	on	off	off	Address 05
off	on	on	off	off	Address 06
on	on	on	off	off	Address 07
off	off	off	on	off	Address 08
on	off	off	on	off	Address 09
off	on	off	on	off	Address 10
on	on	off	on	off	Address 11
off	off	on	on	off	Address 12
on	off	on	on	off	Address 13
off	on	on	on	off	Address 14
on	on	on	on	off	Address 15
off	off	off	off	on	Address 16
on	off	off	off	on	Address 17
off	on	off	off	on	Address 18
on	on	off	off	on	Address 19
off	off	on	off	on	Address 20
on	off	on	off	on	Address 21
off	on	on	off	on	Address 22
on	on	on	off	on	Address 23
off	off	off	on	on	Address 24
on	off	off	on	on	Address 25
off	on	off	on	on	Address 26
on	on	off	on	on	Address 27
off	off	on	on	on	Address 28
on	off	on	on	on	Address 29
off	on	on	on	on	Address 30
on	on	on	on	on	Address 31



# Low-intensity Red and IR Obstruction Lights

**OBELUX**  
 AVIATION LIGHTS

 ICAO Low-intensity Type A 10cd, Type B 32cd and Type E 32cd  
 Low-intensity 50cd  
 FAA L-810  
 Infrared 850nm

Obelux Oy, Kutomotie 6 B, 00380 Helsinki FINLAND | The information in this document is subject to change without notice. © Obelux Oy 2021

[WWW.OBELUX.COM](http://WWW.OBELUX.COM)

DIP switch	Operating mode
<b>8</b>	
off	Standalone
on	Modbus

DIP switch		
<b>6</b>	<b>7</b>	Reserved

The RS-485 bus should be terminated with the on-board 120 ohm resistors on both ends of the communications bus. To terminate the RS-485 bus, switch the RS-485 termination DIP switch to the ON position in these devices.

## Programming terminal

Light software and configuration settings are upgradable via programming terminal or RS-485 (Modbus) terminal. The programming terminal is used in lights that don't have the Modbus option. Setting a flash rate, photocell threshold and special flash sequences are possible, e.g. Morse code. Updates can be made either with a RS-485 configuration cable (Part code: CONFIG01-RS-485) via RS-485 port by or with a RS-232 configuration cable (Part code: CONFIG01-RXTX) via the programming terminal. The configuration cables connect to a computer via USB. Software in the computer establishes a connection to the light and makes the updates.

## DC models features on battery power

### Smart heater

- Monitors light's input voltage and turns off the heater if the input voltage falls below a configured value
- Software and thermostat controlled, the heater is OFF if temperature is above 10 °C
- Heater must be set on with configuration DIP switch 6
- Smart heater configurable via RS-485 (Modbus) and programming terminals and configuration software on a computer. Refer to manual for details.
- Settable threshold voltage in which the heater will be disabled.  
The voltage is set slightly below battery's charging voltage. The charging voltage depends on the types of battery and charger.  
Recommendation: Set the heater threshold voltage 1V below battery charging voltage (with 24V battery)  
Example: 24V battery, battery charging voltage 27.5V, set the threshold voltage to 26.5V
- Heater off during battery discharge enables longer power on time for the light
- Factory setting: Smart heater not in use



# Low-intensity Red and IR Obstruction Lights

**OBELUX**  
AVIATION LIGHTS

ICAO Low-intensity Type A 10cd, Type B 32cd and Type E 32cd  
Low-intensity 50cd  
FAA L-810  
Infrared 850nm

## Battery deep discharge protection (DDP) (DC models only)

DIP switch				Battery	Voltage level (light off)
1	2	3	4		
off	off	off	off	12V	Light off
off	off	off	on	12V	10.84V
off	off	on	off	12V	10.4V
off	off	on	on	12V	10.08V *
off	on	off	off	24V	Light off
off	on	off	on	24V	22.02V
off	on	on	off	24V	21.18V
off	on	on	on	24V	20.38V
on	off	off	off	48V	Light off
on	off	off	on	48V	44.3V
on	off	on	off	48V	42.55V
on	off	on	on	48V	40.9V
on	on	off	off	Reserved	
on	on	off	on	Reserved	
on	on	on	off	Reserved	
on	on	on	on	Reserved	

\* Factory setting = lowest operating voltage

### Operation of DDP switches

DDP protects the battery from over-discharge by limiting the battery terminal voltage from dropping below a value that might cause damage or degradation to the battery. This way, no external deep discharge protection is needed. A typical application for battery-powered lights is cranes.

The table above lists voltage levels where the light unit turns off if the sensed voltage at the light's input drops below this level. Lower voltage settings allow the use of longer cables (more voltage drop) or longer operation time at the expense of a more discharged battery.

**Use settings highlighted in yellow for maximum battery protection.**

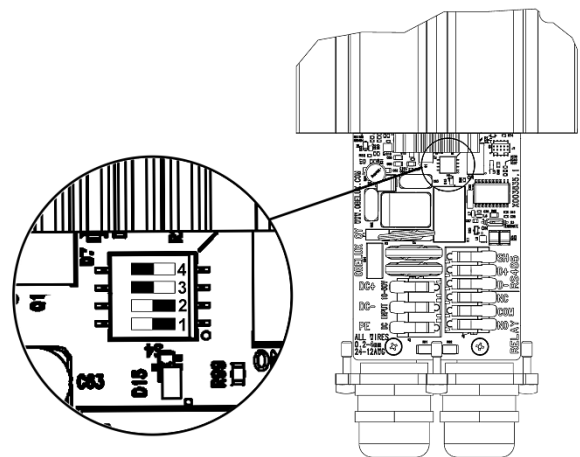
If more battery utilization is needed, use the formula below.

Formula to calculate DC voltage drop in cable:  $\Delta V = \frac{2\ell RI}{1000}$ , where

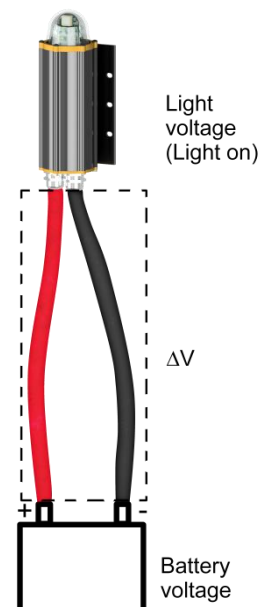
$I$  = Current in amperes

Light's current can be calculated from Product Code tables by formula  $I = P/U$ , where

$P$  = light's power consumption in watts



DDP switches (switches in factory default setting (off, off, on, on))



# Low-intensity Red and IR Obstruction Lights



ICAO Low-intensity Type A 10cd, Type B 32cd and Type E 32cd  
 Low-intensity 50cd  
 FAA L-810  
 Infrared 850nm

Obelux Oy, Kutumotie 6 B, 00380 Helsinki FINLAND | The information in this document is subject to change without notice. © Obelux Oy 2021

WWW.OBELUX.COM

$U$  = battery voltage in volts

$\ell$  = Cable length in meters

$R$  = Cable resistance in ohm/km

Conductor resistance of copper:

1.50 mm<sup>2</sup> - 13.3 ohm/km

2.50 mm<sup>2</sup> - 7.98 ohm/km

Example. LI-DC-32-A (1.8W), 50m cable 1.5 mm<sup>2</sup>, 12V battery

$$\Delta V = \frac{2\ell RI}{1000} = \frac{2\ell R \left(\frac{P}{U}\right)}{1000} = \frac{2 \times 50\text{m} \times 13.3 \frac{\Omega}{\text{km}} \times \left(\frac{1.8\text{W}}{12\text{V}}\right)}{1000} \approx 0.2\text{V}$$

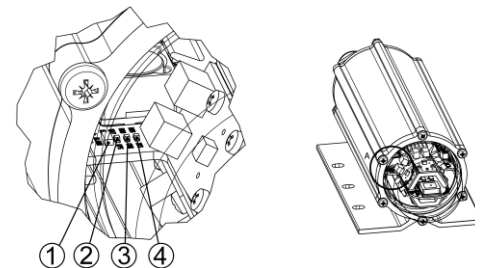
DIP switches				Light voltage (DDP voltage level)	Battery voltage
1	2	3	4		
off	off	off	off	OFF	OFF
off	off	off	on	10.84V	11.04V
off	off	on	off	10.4V	10.6V
off	off	on	on	10.08V	10.28V

Voltages at light and battery of the example at light turn off point.

Alternatively, the voltages directly at the battery +/- terminals and the light input +/- terminals can be measured and the difference calculated. The light must be on when measurements are taken.

## Indicator LEDs

	LED	Description
1	ALARM	<b>Alarm indicator (RED)</b> LED OFF: Normal operation, no alarms LED ON: Active alarm condition
2	GPS	<b>GPS (GREEN)</b> LED OFF: No GPS fix LED FLASHING: Light GPS module has fix on GPS place and time. Light is not yet fully synchronized. LED ON: Light GPS module has fully resolved the UTC time. It may take several minutes for the GPS module to receive the necessary data.
3	COM	<b>Communication (GREEN)</b> LED OFF: Waiting for external signals LED FLASHING: Master-slave communications occurring on the network
4	3V3	<b>Internal operating voltage (GREEN)</b> LED OFF: power off LED ON: power on



# Low-intensity Red and IR Obstruction Lights

**OBELUX**  
 AVIATION LIGHTS

ICAO Low-intensity Type A 10cd, Type B 32cd and Type E 32cd  
 Low-intensity 50cd  
 FAA L-810  
 Infrared 850nm

## Part codes

Code	Information
CONFIG01-RXTX	configuration RS-232 cable Cable usages: special flash settings, photocell threshold, Smart heater and Master – Slave functionality through programming terminal
CONFIG01-RS-485	configuration RS-485 cable (Modbus) Cable usages: special flash settings, photocell threshold, Smart heater and Master – Slave functionality



# Low-intensity Red and IR Obstruction Lights

**OBELUX**  
AVIATION LIGHTS

ICAO Low-intensity Type A 10cd, Type B 32cd and Type E 32cd  
Low-intensity 50cd  
FAA L-810  
Infrared 850nm

Obelux Oy, Kutumotie 6 B, 00380 Helsinki FINLAND | The information in this document is subject to change without notice. © Obelux Oy 2021

WWW.OBELUX.COM

## Mounting Sets

	<p><b>Obelux MS-HV80</b> Mounting set for 33-80 mm vertical or horizontal pipe. This mounting set includes:</p> <ul style="list-style-type: none"> <li>▶ 2 pcs M6 U-bolt</li> <li>▶ 8 pcs M6 hex nut</li> <li>▶ 4 pcs 6/12 mm washer</li> </ul> <p>All parts are AISI316 acid-proof stainless steel.</p> <p>More detailed mechanical data: see MS-HV80 datasheet</p>
	<p><b>Obelux MS-EV60</b> Mounting set with extension plate for 30-60 mm vertical pipe installation. This mounting set includes:</p> <ul style="list-style-type: none"> <li>▶ 2 pcs M8 U-bolt, 8 pcs M8 hex nut</li> <li>▶ 4 pcs M6x30 bolt, 8 pcs M6 hex nut, 4 pcs 6/12 washer</li> <li>▶ 1 pcs extension plate</li> </ul> <p>Extension plate marine grade anodized aluminium, other parts AISI316 acid-proof stainless steel.</p> <p>More detailed mechanical data: see MS-EV60 datasheet</p>
	<p><b>Obelux MS-EV100</b> Mounting set with extension plate for 60-100 mm vertical pipe installation. This mounting set includes:</p> <ul style="list-style-type: none"> <li>▶ 2 pcs M8 U-bolt, 8 pcs M8 hex nut</li> <li>▶ 4 pcs M6x30 bolt, 8 pcs M6 hex nut, 4 pcs 6/12 washer</li> <li>▶ 1 pcs extension plate</li> </ul> <p>Extension plate marine grade anodized aluminium, other parts AISI316 acid-proof stainless steel.</p> <p>More detailed mechanical data: see MS-EV100 datasheet</p>
	<p><b>Obelux MS-EV150</b> Mounting set with extension plate for 100-150 mm vertical pipe installation. This mounting set includes:</p> <ul style="list-style-type: none"> <li>▶ 2 pcs M8 U-bolt, 8 pcs M8 hex nut</li> <li>▶ 4 pcs M6x30 bolt, 8 pcs M6 hex nut, 4 pcs 6/12 washer</li> <li>▶ 1 pcs extension plate</li> </ul> <p>Extension plate hot dipped galvanised steel, other parts AISI316 acid-proof stainless steel.</p> <p>More detailed mechanical data: see MS-EV150 datasheet</p>

▶ Order Code MS-HV80

▶ Order Code: MS-EV60

▶ Order Code: MS-EV100

▶ Order Code: MS-EV150

# Low-intensity Red and IR Obstruction Lights

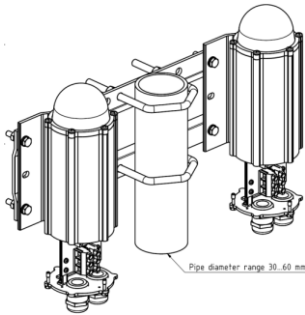
# OBELUX

AVIATION LIGHTS

ICAO Low-intensity Type A 10cd, Type B 32cd and Type E 32cd  
 Low-intensity 50cd  
 FAA L-810  
 Infrared 850nm

Obelux Oy, Kutumotie 6 B, 00380 Helsinki FINLAND | The information in this document is subject to change without notice. © Obelux Oy 2021

WWW.OBELUX.COM



### Obelux MS-DEV60

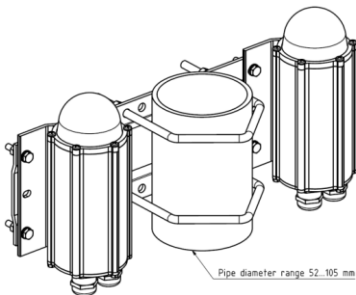
Double mounting set with extension plate for 30-60 mm vertical pipe installation. Mounting set include:

- ▶ 2 pcs M8 U-bolt, 8 pcs M8 hex nut
- ▶ 8 pcs M6x30 bolt, 16 pcs M6 hex nut, 8 pcs 6/12 washer
- ▶ 1 pcs extension plate

Extension plate marine grade anodised aluminium, other parts AISI316 acid-proof stainless steel.

More detailed mechanical data: see MS-DEV60 datasheet

▶ Order Code: MS-DEV60



### Obelux MS-DEV100

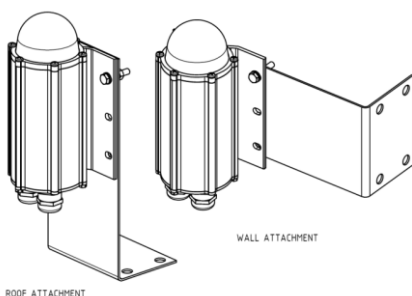
Double mounting set with extension plate for 60-100 mm vertical pipe installation. Mounting set include:

- ▶ 2 pcs M8 U-bolt, 8 pcs M8 hex nut
- ▶ 8 pcs M6x30 bolt, 16 pcs M6 hex nut, 8 pcs 6/12 washer
- ▶ 1 pcs extension plate

Extension plate marine grade anodised aluminium, other parts AISI316 acid-proof stainless steel.

More detailed mechanical data: see MS-DEV100 datasheet

▶ Order Code: MS-DEV100



### Obelux MS-RW

Mounting set for horizontal plate or wall installation.

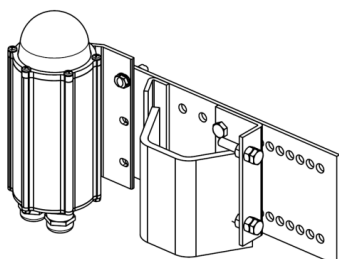
Mounting set includes:

- ▶ 4 pcs M6x30 bolt, 8 pcs M6 hex nut, 4 pcs 6/12 washer
- ▶ 1 pcs L-shape 2 mm plate

All parts AISI 316 acid-proof stainless steel.

More detailed mechanical data: see MS-RW datasheet

▶ Order Code: MS-RW



### Obelux MS-LVU

Mounting set for L and V -shape profiles

Mounting set includes:

- ▶ 1 set accessories for light unit fitting to plate
- ▶ 1 pcs extension plate with adjusting plate and accessories

Extension plate hot dip galvanized steel, other parts AISI316 acid-proof stainless steel.

More detailed mechanical data: see MS-LVU datasheet

▶ Order Code: MS-LVU (with galvanized extension plate)

▶ Order Code: MS-LVA (with AISI316 extension plate)

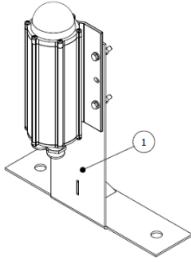
# Low-intensity Red and IR Obstruction Lights

**OBELUX**  
AVIATION LIGHTS

ICAO Low-intensity Type A 10cd, Type B 32cd and Type E 32cd  
Low-intensity 50cd  
FAA L-810  
Infrared 850nm

Obelux Oy, Kutomotie 6 B, 00380 Helsinki FINLAND | The information in this document is subject to change without notice. © Obelux Oy 2021

WWW.OBELUX.COM



## Obelux MS-WT5

Mounting set for wind turbines.

Mounting holes 2 x  $\varnothing 17$ , 240mm.

► **Order Code: MS-WT5**