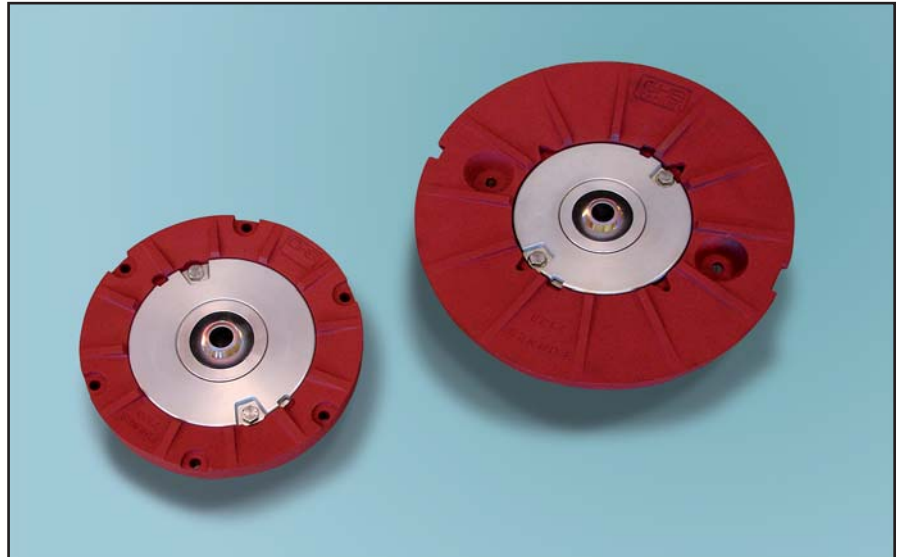


CHS Controls & OCEM

Full flush omni-directional inset lights - Taxiway edge and heliport



Alltid tillgänglig - Alltid öppen!
www.chscontrols.se
Always available - Always open!

We offer a full flush 8" omni-directional inset light based on a combination of a special designed adaptor plate and a standard semi-flush inset light from OCEM. Most inset lights protrude 6 mm or more. By using a standard light in combination with a special designed adaptor plate, the following features are achieved

- A full flush omni-directional inset light
- The adaptor plate protects the light from external influence

Full flush taxiway edge lights and heliport perimeter lights offer a significant advantage when cleaning the taxiway/heliport from snow. Protruding lights may be damaged during snow cleaning with a steel bladed snow plow. A full flush light simplifies the snow cleaning and reduces the risk for damaging the light.



Full flush lights with adapter plate "A30" and "A28"

Two types of adaptor plates are available

- Adaptor plate for installation in a standard 12" shallow base.
- Adaptor plate suitable for installation in floating frames manufactured by Furnes Hamjern and Ulefos, frames that are commonly used in Scandinavia.

Full flush omni-directional heliport light - HSOL

Catalogue number

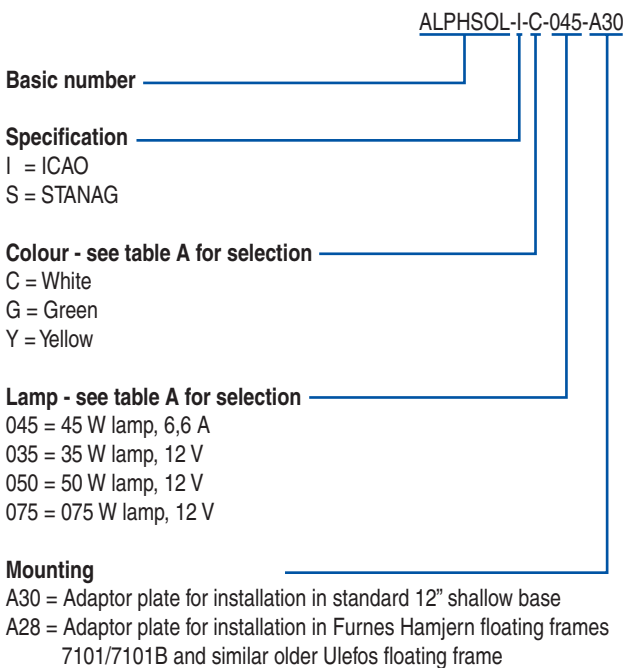


Table A - Lamp selection data

Specification	Light used as	Colour/lamp type		
		White	Green	Yellow
ICAO	FATO	75 W, 12 V		
ICAO	Aiming point	75 W, 12 V		
ICAO	Heliport edge		45 W, 6,6 A	
ICAO	Heliport edge		35 W, 12 V	
STANAG	Heliport edge			45 W, 6,6 A
STANAG	Heliport edge			50 W, 12 V
STANAG	Landing direct.			45 W, 6,6 A
STANAG	Landing direct.			50 W, 12 V

Contact CHS Controls for light spare parts

Accessories for heliport lights, taxiway edge lights and adaptor plates

Description	Catalogue number	Weight kg/each
Light lifting tool for 8" lights	ALPTOOLLIFT8	0,3
Screw locking kit for A28 adaptor plate, only for use in Furnes Hamjern floating frames 7101/7101B	ALPFH4207B	0,5

Full flush LED omni-directional taxiway edge light - LTO

Catalogue number

ALPLTO0802-1-2-5-A30-0-02

Basic number

Specification

I = ICAO
S = STANAG
F = FAA

Diameter

2 = 8" light

Mode

5 = 2,8-6,6 A power supply

Mounting adaptor plate type

A30 = For installation in standard 12" shallow base
A28 = For installation in Furnes Hamjern floating frames 7101/7101B
and older similar Ulefos floating frame

Arctic kit

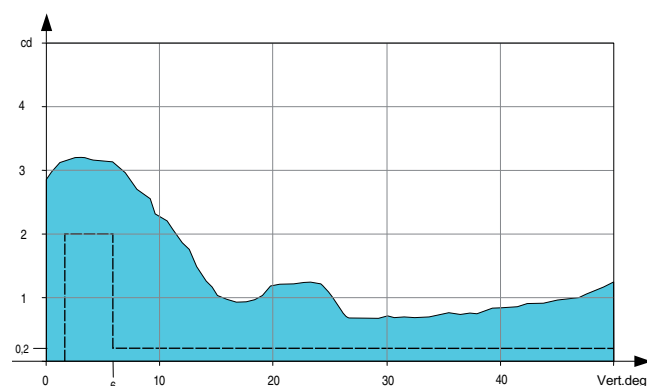
0 = Without arctic kit
1 = With arctic kit

Monitoring

01 = With monitoring
02 = Without monitoring

Contact CHS Controls for light spare parts

Photometric



Taxiway edge light type LTO
Blue light, dotted line, FAA L-852T requirements

Full flush omni-directional taxiway edge light - TWOF

Catalogue number

ALPTWOF-1-B-045-A30

Basic number

Specification

I = ICAO
S = STANAG
F = FAA

Colour

B = Blue
Y = Yellow

Lamp

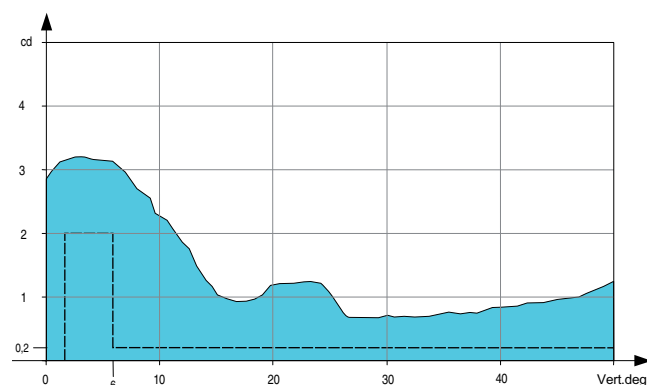
045 = 1x48 W 6,6 A reflectorized

Mounting adaptor plate type

A30 = For installation in standard 12" shallow base
A28 = For installation in Furnes Hamjern floating frames 7101/7101B
and older similar Ulefos floating frame

Contact CHS Controls for light spare parts

Photometric



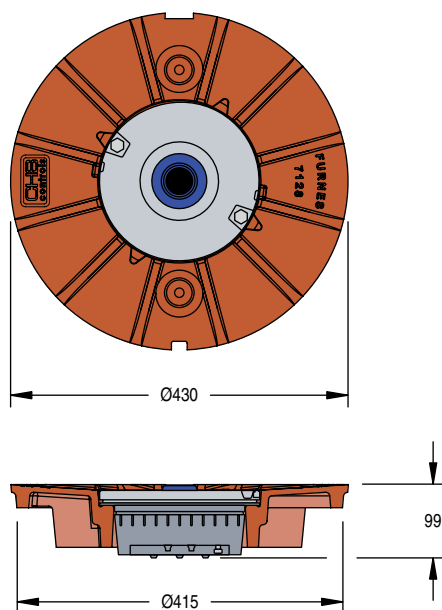
Taxiway edge light type TWOF
Blue light, dotted line, FAA L-852T requirements

Technical data

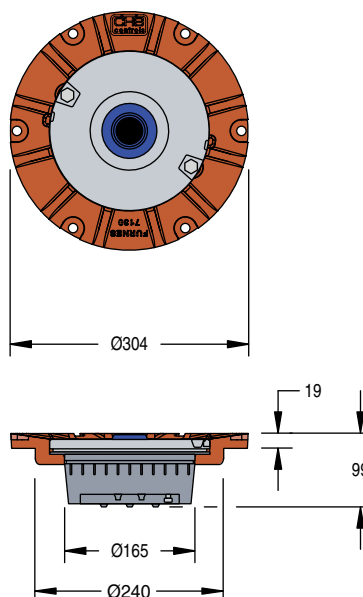
	Full flush heliport light type HSOL	Full flush taxiway edge light - LED type LTO	Full flush taxiway edge light type TWOF
Light fixture diameter	8"/204 mm	8"/204 mm	8"/204 mm
Light source	35, 50 & 75 W at 12 V/45 W 6,6 A tungsten-halogen lamp GY6.35	Blue LED, typical consumption, 6 VA 2,8-6,6 A	48 W 6,6 A tungsten-halogen lamp with dichroic reflector
Power supply	12 V/series circuit, 30/45 W transformer	Series circuit, 30/45 W transformer	Series circuit 30/45 W transformer
Terminals	FAA L-823 plug	FAA L-823 plug	FAA L-823 plug
Material, light	Aluminium	Aluminium	Aluminium
Material adaptor plate	Steel	Steel	Steel
Standards	ICAO Annex 14 - Volume 2 IEC TS 61827 STANAG 3619	ICAO Annex 14 - Volume 1 IEC TS 61827 STANAG 3316 FAA L-852T - AC150/5345-46 and Engineering Brief No 67	ICAO Annex 14 - Volume 1 IEC TS 61827 STANAG 3316 FAA L-852T - AC150/5345-46

Dimensions, mm

Full flush omni-directional light - adaptor plate A28
For use with Furnes Hamjern floating frames 7101/7101B
Weight 19,3+2,9=22,2 kg



Full flush omni-directional light - adaptor plate A30
For use with standard 12" shallow base
Weight 6,5+2,9=9,4 kg



CHS Controls AB
Florettgatan 33
SE- 254 67 Helsingborg, Sweden
Phone +46 42 386100, fax +46 42 386129, SMS + 46 155 768 086112
chs@chscontrols.se
www.chscontrols.se

