

# MEDIUM-INTENSITY Type A+B/C

ICAO MI Type A 20 000cd  
 ICAO MI Type B/C 2 000cd  
 FAA L-865+L-864, F-866+L-885

**OBELUX**  
 AVIATION LIGHTS

Obelux Oy, Kutomotie 6 B, 00380 Helsinki FINLAND | The information in this document is subject to change without notice. © Obelux Oy 2018

WWW.OBELUX.COM

## Optical characteristics

- ▶ 20 000 / 2 000cd (effective)
- ▶ Colour aviation WHITE and RED
- ▶ NVG compliant infrared (850nm) as an option
- ▶ Horizontal beam 360°
- ▶ Vertical beam 3°
- ▶ Maximum intensity at -1° is less than 11 250cd (WHITE), 1125cd (RED)
- ▶ Maximum intensity at -10° is less than 750cd (WHITE), 75cd (RED)

## Specifications met

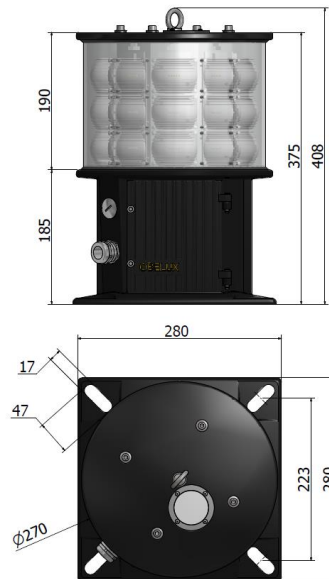
ICAO International Standards and Recommended Practices:  
 Aerodromes Annex 14 Volume 1,  
 8th Edition, July 2018, Chapter 6:  
 Medium-intensity Type A  
 Medium-intensity Type B/C. Fulfills  
 the Recommendations Section in  
 Table 6-3.

FAA compliant, advisory Circular AC  
 150/5345-43J: Specification for  
 Obstruction Lighting Equipment,  
 3/11/2019 FAA L-864, L-885

Regulatory article of April 23, 2018  
 relating to the implementation of  
 obstruction warning light to air  
 navigation, DGAC, STAC, (FRANCE)

Transport Canada, CAR 621,  
 CL-865+CL-864, CL-866+CL-885  
 (CANADA)

Agencia Estatal de Seguridad Aérea  
 (AESA), (SPAIN)



## Medium-Intensity White and Red Dual 20 000cd LED Aviation Obstruction Lights

Obelux medium-intensity stand-alone 20 000cd White and Red model is used for marking tall structures, such as wind turbines, transmission masts, chimneys, broadcast masts, etc. The product offers unique features such as incorporated fault monitoring, photocell, GPS synchronization, and it supports both stand-alone and Modbus operation as a part of Obelux aviation light system network.

### Key Features

- ▶ Based on LED technology
- ▶ 20 000 cd (effective) WHITE flashing and RED fixed or flashing
- ▶ Supports both stand-alone and Modbus operations
- ▶ Suitable for Offshore environment
- ▶ Incorporated GPS synchronisation
- ▶ Adjustable luminous output levels 10%, 30%, and 100%
- ▶ Incorporated photocell and fault monitoring
- ▶ Hot start feature for radar controlled systems
- ▶ Design lifetime more than 20 years
- ▶ 5-year warranty- the longest in the industry

# MEDIUM-INTENSITY Type A+B/C

ICAO MI Type A 20 000cd  
ICAO MI Type B/C 2 000cd  
FAA L-865+L-864, F-866+L-885

**OBELUX**  
AVIATION LIGHTS

Obelux Oy, Kutomotie 6 B, 00380 Helsinki FINLAND | The information in this document is subject to change without notice. © Obelux Oy 2018

WWW.OBELUX.COM

## Electrical Characteristics

- ▶ Operating voltage (ACW): 90-265V<sub>AC</sub>, 50Hz / 60Hz ± 6%
- ▶ Operating voltage (DC): 20-60V<sub>DC</sub>
- ▶ Flash rates: 20/30/40/60 fpm
- ▶ Meets standards
  - EMC (Emissions): EN 61000-6-4
  - EMC (Immunity): EN 61000-6-2
- ▶ Power consumption for ACW versions
  - 19W @ Day (WHITE, 40 fpm)
  - 4W @ Night (WHITE, 40 fpm)
  - 5,5W @ Night (WHITE+IR, 40 fpm)
  - 17W @ Night (RED, 40 fpm)
  - 20W @ Night (RED+IR, 40 fpm)
  - 25W @ Night (RED, fixed)
  - 30W @ Night (RED+IR, fixed)

(Flash pulse length in day and twilight mode is 100ms. Flash pulse length for the RED light is 50% of the selected flash rate.)

- ▶ Power consumption for power-save use (ACW versions)
  - 8W @ Night (RED, 40fpm)
  - 11W @ Night (RED+IR, 40fpm)

(Flash pulse length for the RED light is approx. 200ms)

- ▶ Recommended cables (Outdoor) for ACW versions:
  - Power (L-N-PE): 3x1,5mm<sup>2</sup> or 3x2,5mm<sup>2</sup>
  - Data: CAT 6
  - Alarm: CAT 6, 3x1,5mm<sup>2</sup> or 3x2,5mm<sup>2</sup>
  - Power + Alarm: 6x1,5mm<sup>2</sup> or 6x2,5mm<sup>2</sup>
- ▶ Terminals can be used to distribute power and data to another light head (6 core cable must be used).

## Mechanical Characteristics

- ▶ Painted marine grade aluminium body (C5MHigh)
- ▶ Glass cover
- ▶ Degree of protection IP66
- ▶ Operating temperature range -40...+55 °C
- ▶ Mounting 240x240mm, φ17mm
- ▶ Height 408 mm, diameter 270 mm
- ▶ Weight 14 kg

## Additional Factory-Installed Options

- ▶ Cold-climate version (CCV)
- ▶ NVG compliant infrared (IR)

Order code	Output	ICAO	Op. volt.	GPS sync h	Infrared	CCV	Photocell and Fault monitoring	Packing dimensions (mm)
MID-ACWGAM	20 000cd	Type A+B/C	90-265VAC	Yes	No	No	Yes	460x330x330, 15,5kg
MID-ACWIRGAM	20 000cd	Type A+B/C	90-265VAC	Yes	Yes	No	Yes	460x330x330, 15,5kg
MID-ACWCCVGAM	20 000cd	Type A+B/C	90-265VAC	Yes	No	Yes	Yes	460x330x330, 15,5kg
MID-ACWCCVIRGAM	20 000cd	Type A+B/C	90-265VAC	Yes	Yes	Yes	Yes	460x330x330, 15,5kg
MID-FAA-ACWGAM	20 000cd	Type A+B/C*	90-265VAC	Yes	No	No	Yes	460x330x330, 15,5kg
MID-FAA-CCVACWGAM	20 000cd	Type A+B/C*	90-265VAC	Yes	Yes	Yes	Yes	460x330x330, 15,5kg
MID-DCGAM	20 000cd	Type A+B/C	20-60VDC	Yes	No	No	Yes	460x330x330, 15,5kg
MID-DCIRGAM	20 000cd	Type A+B/C	20-60VDC	Yes	Yes	No	Yes	460x330x330, 15,5kg
MID-DCCCVGAM	20 000cd	Type A+B/C	20-60VDC	Yes	No	Yes	Yes	460x330x330, 15,5kg
MID-DCCCVIRGAM	20 000cd	Type A+B/C	20-60VDC	Yes	Yes	Yes	Yes	460x330x330, 15,5kg

\*provides correct dip switch settings also for FAA and Mexico market in a stand-alone operation, further information is presented in user manual.

# MEDIUM-INTENSITY Type A+B/C

ICAO MI Type A 20 000cd  
ICAO MI Type B/C 2 000cd  
FAA L-865+L-864, F-866+L-885

**OBELUX**  
AVIATION LIGHTS

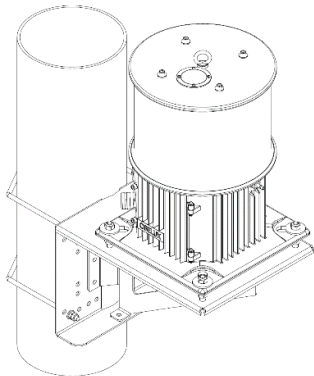
Obelux Oy, Kutomotie 6 B, 00380 Helsinki FINLAND | The information in this document is subject to change without notice. © Obelux Oy 2018

WWW.OBELUX.COM

## 20 000 cd / 2 000 cd WHITE only products

Order code	Output	ICAO	Op. volt.	GPS sync	Infrared	CCV	Photocell and Fault monitoring	Packing dimensions (mm)
<b>MI-ACWGAM-A</b>	20 000cd	Type A	90-265VAC	Yes	No	No	Yes	460x330x330, 15,5kg
<b>MI-ACWIRGAM-A</b>	20 000cd	Type A	90-265VAC	Yes	Yes	No	Yes	460x330x330, 15,5kg
<b>MI-ACWCCVGAM-A</b>	20 000cd	Type A	90-265VAC	Yes	No	Yes	Yes	460x330x330, 15,5kg
<b>MI-ACWCCVIRGAM-A</b>	20 000cd	Type A	90-265VAC	Yes	Yes	Yes	Yes	460x330x330, 15,5kg
<b>MI-FAA-ACWGAM-A</b>	20 000cd	Type A	90-265VAC	Yes	No	No	Yes	460x330x330, 15,5kg
<b>MI-FAA-CCVACWGAM-A</b>	20 000cd	Type A	90-265VAC	Yes	Yes	Yes	Yes	460x330x330, 15,5kg
<b>MI-DCGAM-A</b>	20 000cd	Type A	20-60VDC	Yes	No	No	Yes	460x330x330, 15,5kg
<b>MI-DCIRGAM-A</b>	20 000cd	Type A	20-60VDC	Yes	Yes	No	Yes	460x330x330, 15,5kg
<b>MI-DCCCVGAM-A</b>	20 000cd	Type A	20-60VDC	Yes	No	Yes	Yes	460x330x330, 15,5kg
<b>MI-DCCCVIRGAM-A</b>	20 000cd	Type A	20-60VDC	Yes	Yes	Yes	Yes	460x330x330, 15,5kg

### Available mounting set as an option



#### Obelux MS-MIV1001

Mounting set for wall mounting and for 60-200mm tubes.

This mounting set includes:

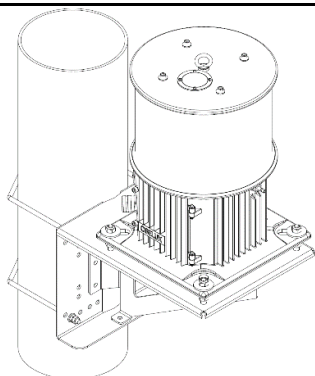
- ▶ 2 pcs U-bolt 60-100
- ▶ 2 pcs U-bolt 100-200
- ▶ 8 pcs M8 hex nut ISO 4161
- ▶ 8 pcs M8 hex nut ISO 4032
- ▶ 8 pcs M10 hex nut ISO 4032
- ▶ 4 pcs M10 hex nut ISO 4161
- ▶ 4 pcs washer DIN 9021 - 13

All parts are AISI304 stainless steel.

Easy horizontal adjustment / installation.

More detailed mechanical data: see MS-MIV1001 datasheet

▶ Order Code MS-MIV1001



#### Obelux MS-MIV1002

Mounting set for wall mounting and for 60-200mm tubes.

This mounting set includes:

- ▶ 2 pcs U-bolt 60-100
- ▶ 2 pcs U-bolt 100-200
- ▶ 8 pcs M8 hex nut ISO 4161
- ▶ 8 pcs M8 hex nut ISO 4032
- ▶ 8 pcs M10 hex nut ISO 4032
- ▶ 4 pcs M10 hex nut ISO 4161
- ▶ 4 pcs washer DIN 9021 - 13

All parts are AISI316 acid-proof steel.

Easy horizontal adjustment / installation.

More detailed mechanical data: see MS-MIV1002 datasheet

▶ Order Code MS-MIV1002